



# LINE CARD

**YOUR OEM AND AFTERMARKET SOLUTION!!!**



**Rexroth**  
Bosch Group



©2011 EGO SOLUTIONS





**P30/50/75/315/350**



**C101/102**



**324**



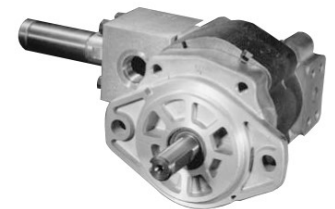
**PGP500**



**P16**



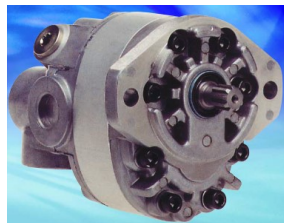
**P16**



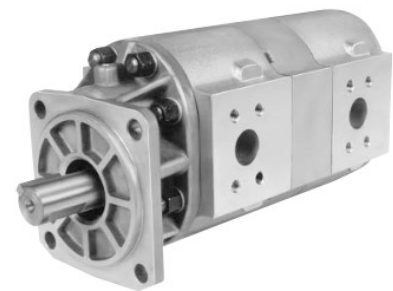
**PVP16**



**MGG2/PGG2**



**D/H/M**



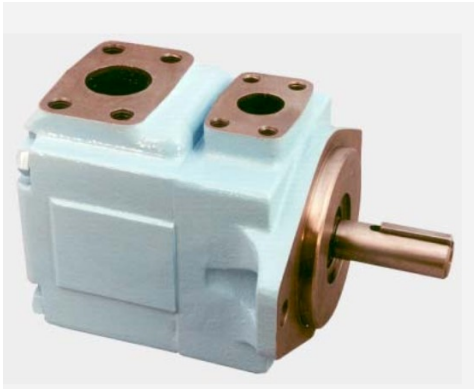
**SERIE 20**



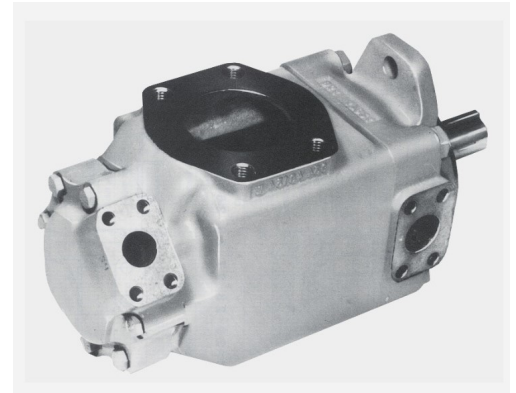
**SERIE 20**



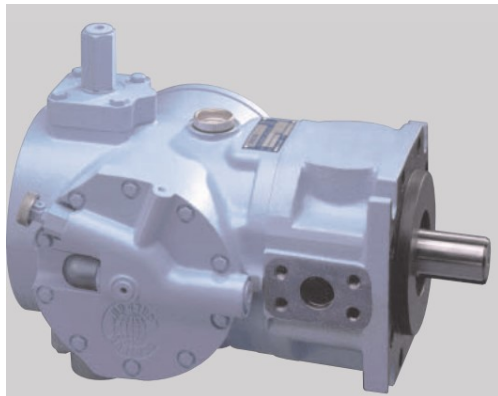
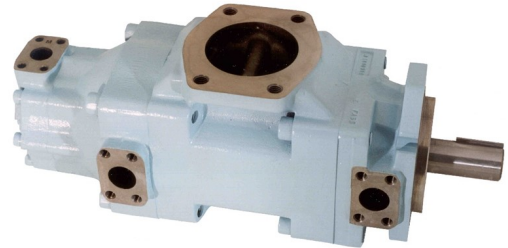
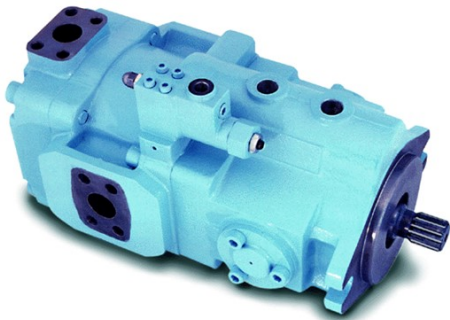
**SERIE 20**



T6/T7



T6/T7/T7A



**Gold Cup**



25/35/45/V/VQ



PARTES



2520/3520/4520



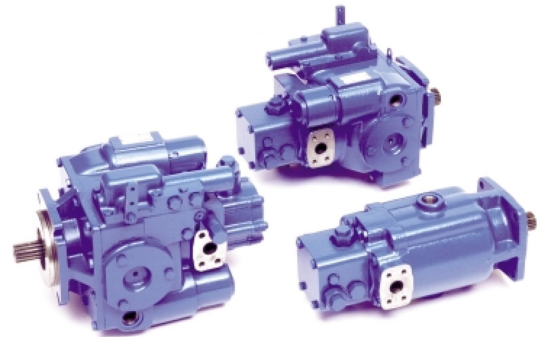
V10/20/2010/2020



PVB



PVH



Models 33 through 76  
ions



**Char-Lynn®**





**P2/P3**



**P1/PD/XL**



**PV**



**PVP**



**PAVC**



**Premier**



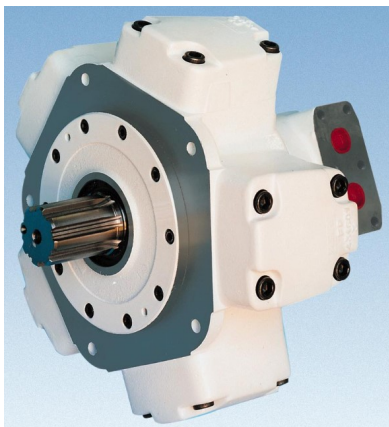
**VP1**



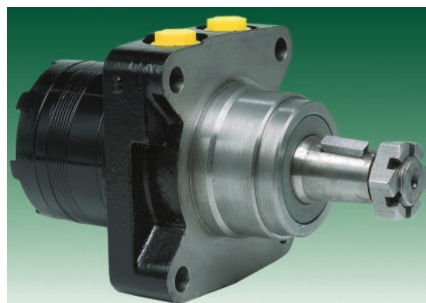
**F11/12**



**F1/F2**



**MR, MRE**



**TJ**



**TF**



# Rexroth

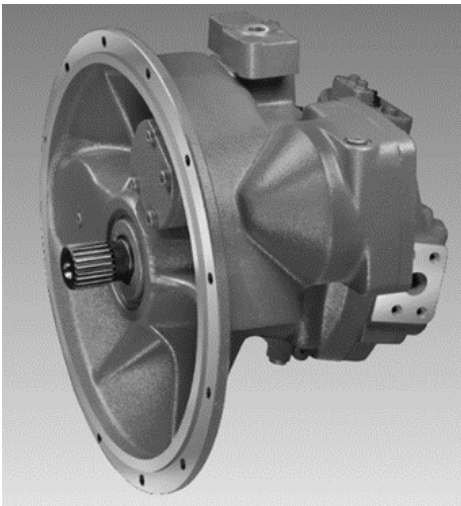
Bosch Group



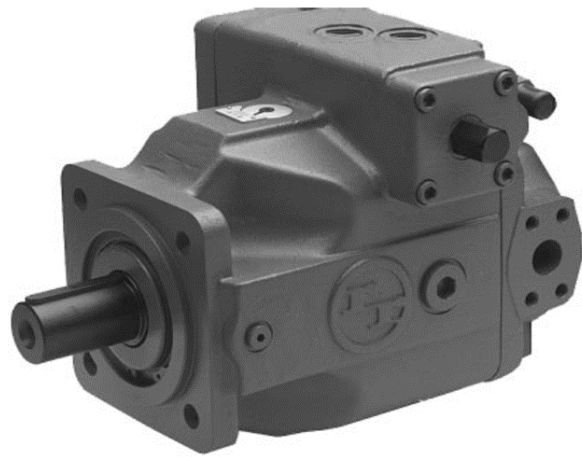
**A10V**



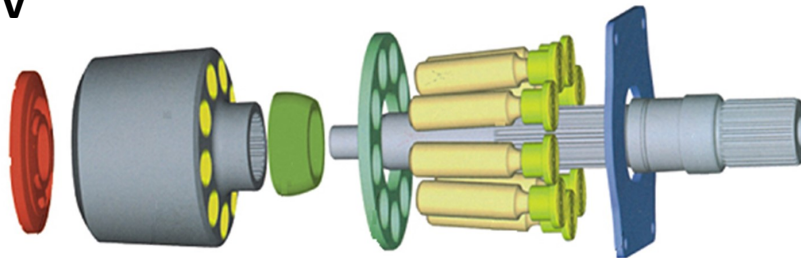
**A2F**



**A8V**



**A4V**





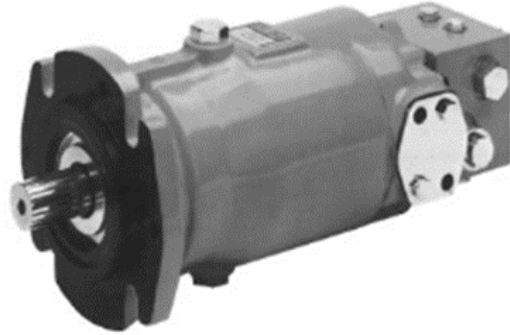
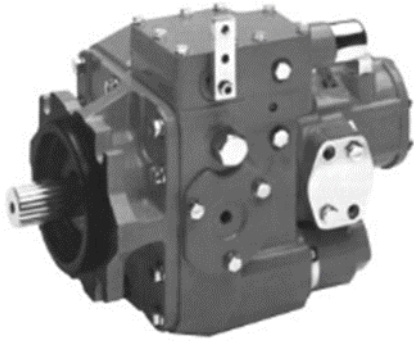
**K3V/K5V**



16801 Boy Scout Rd, Odessa, FL 33556 USA Cell: +1-813-361-0616 Office: +1-813-749-6321

[www.egosolutions.us](http://www.egosolutions.us)

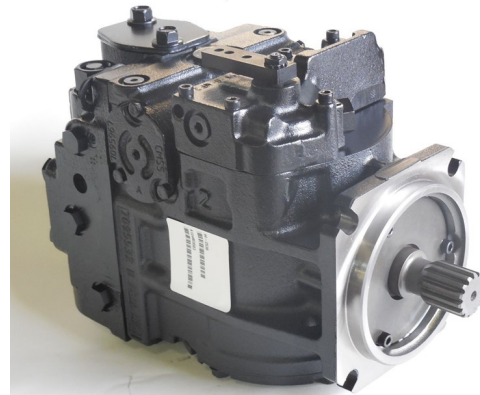




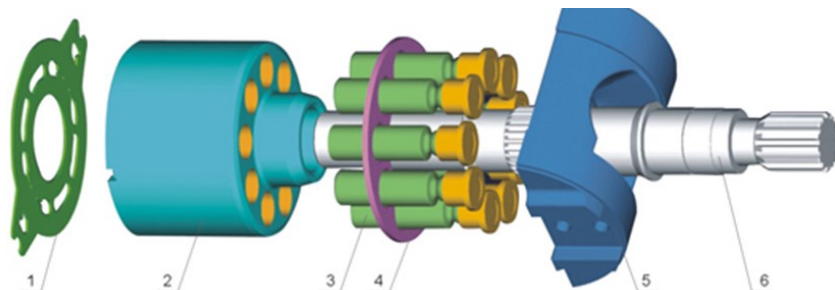
SERIE 20



SERIE 46



SERIE 90







CILINDROS INDUSTRIALES



CILINDROS MOVILES



CILINDROS NEUMATICOS



**CHELSEA<sup>®</sup>**



16801 Boy Scout Rd, Odessa, FL 33556 USA Cell: +1-813-361-0616 Office: +1-813-749-6321

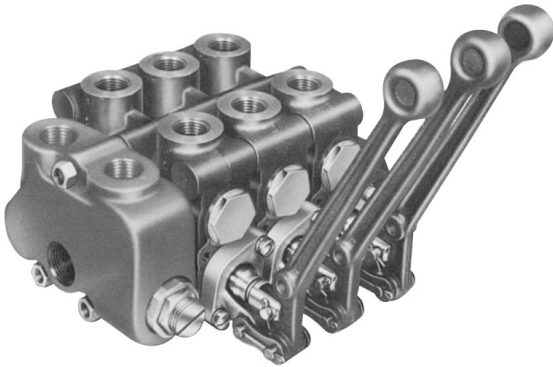
[www.egosolutions.us](http://www.egosolutions.us)



**D03/05**



**D08/10**



**VALVULAS DE PALANCA**



**VALVULAS PROPORCIONALES**



**SERVO VALVULAS**



## AFTERMARKET TOP QUALITY PRODUCTS

### HYDRAULIC SEALS



### HYDRAULIC SEAL KITS



### CROSS REFERENCES WITH MAIN OEMs

